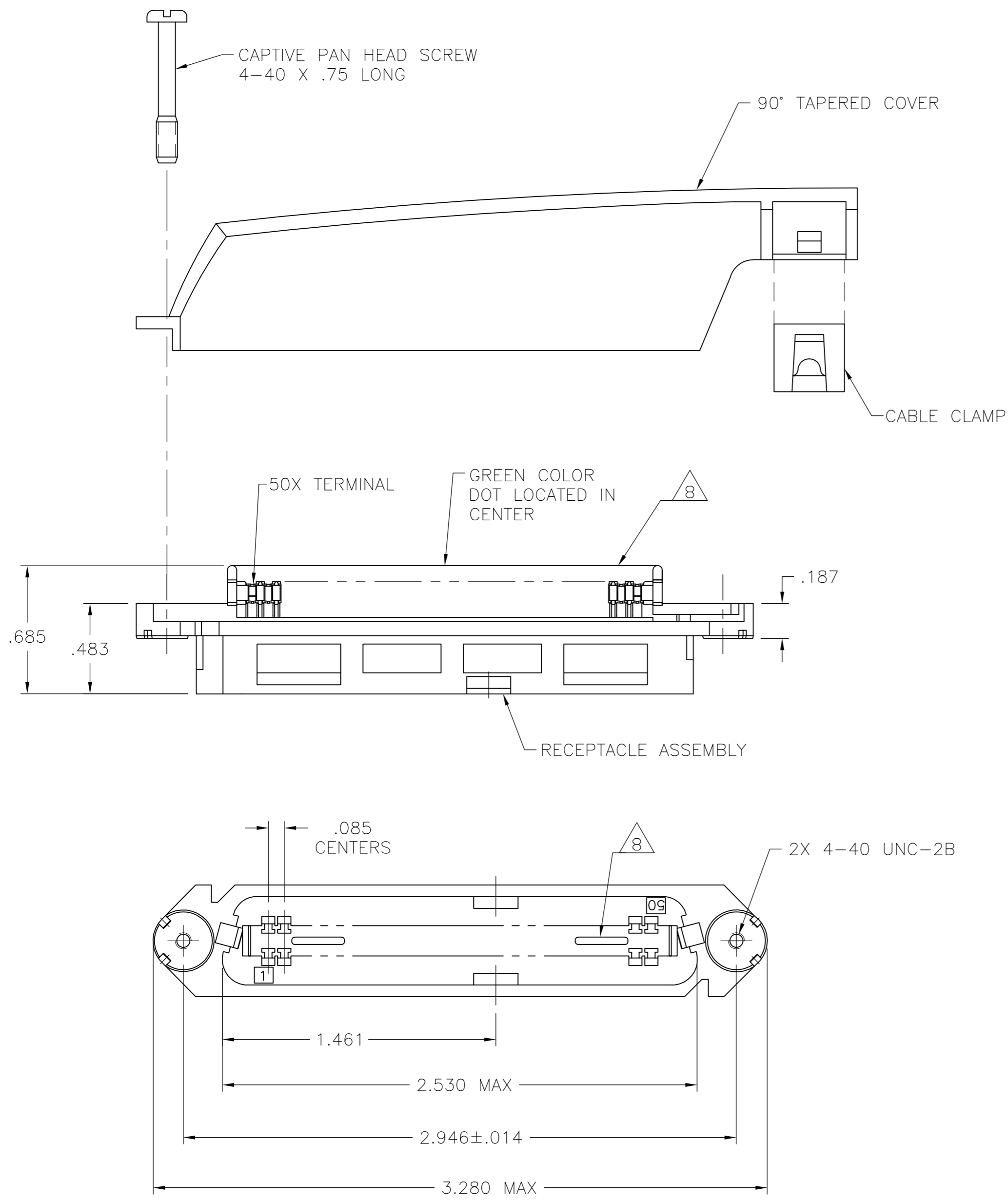


THIS DRAWING IS UNPUBLISHED. RELEASED FOR PUBLICATION  
 © COPYRIGHT BY TYCO ELECTRONICS CORPORATION. ALL RIGHTS RESERVED.

LOC	DIST	REVISIONS					
GP	00	P	LTR	DESCRIPTION	DATE	DWN	APVD
		B		REVISED PER ECO-08-007327	02OCT08	BM	WM



1. THE CONTACT SURFACES OF THE TERMINALS ARE COATED WITH LUBRICANT.
2. ALL DIMENSIONS ARE SHOWN FOR REFERENCE ONLY UNLESS OTHERWISE SPECIFIED.
3. MATERIAL:  
HOUSING, COVER, AND CABLE CLAMP: THERMOPLASTIC.  
TERMINALS: PHOS BRONZE.  
HARDWARE: STEEL.
4. FINISH:  
TERMINALS: .000030 MIN GOLD OR, GOLD FLASH OVER PALLADIUM NICKEL PLATE, .000030 MIN TOTAL ON MATING SUFACE. .000050 MIN NICKEL UNDERPLATE OVER ENTIRE TERMINAL.  
HARDWARE: ZINC PLATED.
5. COVER AND HARDWARE SHIPPED UNNASSEMBLED.
6. WIRE SIZE: 22 AWG SOLID OR 22 AWG, 7 STRANDS OF COPPER CONDUCTORS. MAXIMUM INSULATION DIAMETER OF .045 IS ACCEPTABLE FOR MOST APPLICATIONS.
7. KIT SHIPPED IN POLY BAG FORM.
8. CORING MAY OR MAY NOT APPEAR AND IS AT THE DISCRETION OF TYCO ENGINEERING.

.550 .500	BLACK	5552383-1
CABLE RANGE	COLOR	PART NUMBER

THIS DRAWING IS A CONTROLLED DOCUMENT.		DWN B. MCMASTER	30SEP05	Tyco Electronics Corporation Harrisburg, PA 17105-3608													
DIMENSIONS: INCHES		CHK W. MILLHIMES	30SEP05														
TOLERANCES UNLESS OTHERWISE SPECIFIED:		APVD W. MILLHIMES	30SEP05														
<table border="1"> <tr><td>0 PLC</td><td>± -</td></tr> <tr><td>1 PLC</td><td>± -</td></tr> <tr><td>2 PLC</td><td>± -</td></tr> <tr><td>3 PLC</td><td>± -</td></tr> <tr><td>4 PLC</td><td>± -</td></tr> <tr><td>ANGLES</td><td>± -</td></tr> <tr><td>FINISH</td><td>± -</td></tr> </table>		0 PLC	± -		1 PLC	± -	2 PLC	± -	3 PLC	± -	4 PLC	± -	ANGLES	± -	FINISH	± -	PRODUCT SPEC
0 PLC	± -																
1 PLC	± -																
2 PLC	± -																
3 PLC	± -																
4 PLC	± -																
ANGLES	± -																
FINISH	± -																
MATERIAL		APPLICATION SPEC	RECEPTACLE KIT, 50 POSITION, C-SLOT, SCREW LOCK WITH TAPERED COVER, CHAMP-LOK														
<table border="1"> <tr><td>3</td></tr> </table>		3	WEIGHT	SIZE	CAGE CODE	DRAWING NO	RESTRICTED TO										
3																	
CUSTOMER DRAWING		SCALE	A2	00779	C=5552383	-											
		SHEET	2:1	1	OF 1	REV B											

5552383